



T SQUARE CORNER PLATE DOOR FURNITURE CYLINDER HOLE PUSH

DETAILS

PRODUCT CODE

T22LHSSS

DIMENSIONS

162mm x 162mm

DOOR THICKNESS

Suits 35-50mm Doors

FIXING

Visible

HANDING

Left or Right

MATERIAL

304 Grade Stainless Steel

OVERALL THICKNESS

2mm

PRODUCT SERIES

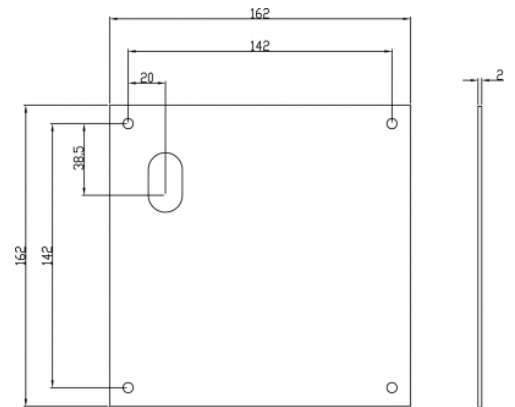
T Square Corner Plate Door Furniture

WARRANTIES

25 Years Mechanical

NOTES

Product code identifies LH SSS finish



FINISHES

- Satin Rose Gold (SRG)
- Satin Graphite (SGR)
- Satin Black (SBL)
- Satin Antique Bronze (SABZ)
- Satin Antique Brass (SAB)
- Satin Stainless Steel (SSS)
- Polished Stainless Steel (PSS)

CERTIFICATIONS

