



T SQUARE CORNER PLATE DOOR FURNITURE HOSPITAL TURN 50 LEVER

DETAILS

PRODUCT CODE

T08H50LHSSS

DIMENSIONS

162mm x 162mm

DOOR THICKNESS

Suits 35-50mm Doors

FIXING

Visible

HANDING

Left or Right

MATERIAL

304 Grade Stainless Steel

OVERALL THICKNESS

2mm

PRODUCT SERIES

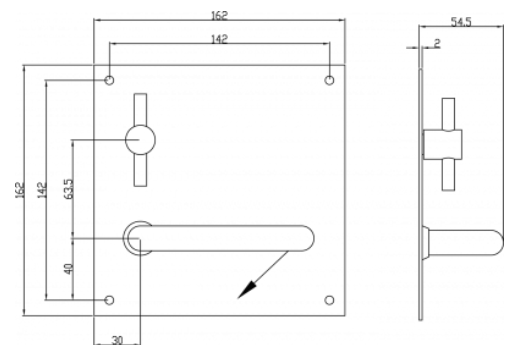
T Square Corner Plate Door Furniture

WARRANTIES

25 Years Mechanical

NOTES

Product code identifies LH SSS finish



FINISHES

Satin Rose Gold (SRG)

Satin Graphite (SGR)

Satin Black (SBL)

Satin Antique Bronze (SABZ)

Satin Antique Brass (SAB)

Satin Stainless Steel (SSS)

Polished Stainless Steel (PSS)

CERTIFICATIONS

