



S ROUND END PLATE DOOR FURNITURE PLATE CYLINDER HOLE

DETAILS

PRODUCT CODE

S12

DIMENSIONS

165mm x 46mm

DOOR THICKNESS

Suits 32-50mm Doors

FIXING

Visible

MATERIAL

304 Grade Stainless Steel

OVERALL THICKNESS

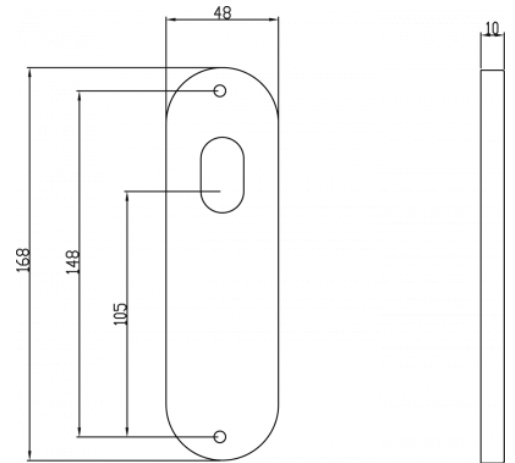
11.5mm

PRODUCT SERIES

S Round End Plate Door Furniture

WARRANTIES

25 Years Mechanical



FINISHES

Polished Stainless Steel (PSS)

Satin Black (SBL)

Satin Antique Bronze (SABZ)

Satin Stainless Steel (SSS)

Gun Metal (GM)

Satin Gold (SG)

CERTIFICATIONS

