

NOVAS



CLASSIC RIMLESS WALL HUNG PAN

DETAILS

PRODUCT CODE

CLCRWHP

DIMENSIONS

520mm x 360mm x 360mm

COLOUR

Gloss White

MATERIAL

Vitreous China

PRODUCT SERIES

Classic

SET OUT

160mm

SET OUT TYPE

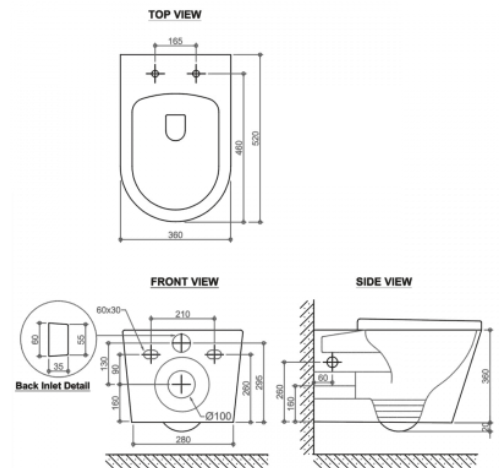
P Trap

WELS RATING

4.5L/3L 4 STAR

WARRANTIES

15 Ceramic / 3 Seat



CERTIFICATIONS

