



## SOTTILE TOWEL RING

### DETAILS

**PRODUCT CODE**

STLE-TR

**DIMENSIONS**

203.5mm x 77mm

**INCLUSIONS**

Fixing Kit

**INSTALLATION TYPE**

Wall

**MATERIAL**

Brass

**OVERALL DIAMETER**

186mm

**PRODUCT SERIES**

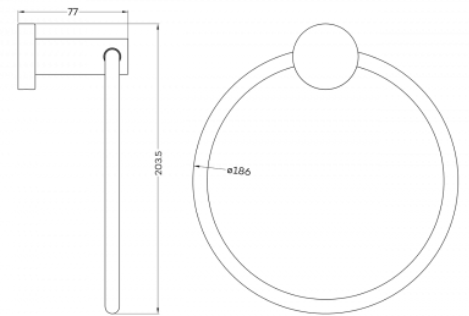
Sottile

**WARRANTIES**

5 Years

**NOTES**

PVD products are subject to MOQ



### FINISHES

Satin Antique Bronze (SABZ)

Satin Antique Brass (SAB)

Brushed Nickel (BN)

Gold (G)

Graphite (GR)

Chrome Plated (CP)

Gun Metal (GM)

Bronze (BZ)

Rose Gold (RG)

Matte Black (MB)

### CERTIFICATIONS

