

NOVAS



OPTIMUS KITCHEN MIXER

DETAILS

PRODUCT CODE

OPT2-KM

DIMENSIONS

224.2mm x 163.9mm

INSTALLATION TYPE

Kitchen Mixer

MATERIAL

Brass

PRODUCT SERIES

Optimus

WELS RATING

7.5L/Min 4 Star

WARRANTIES

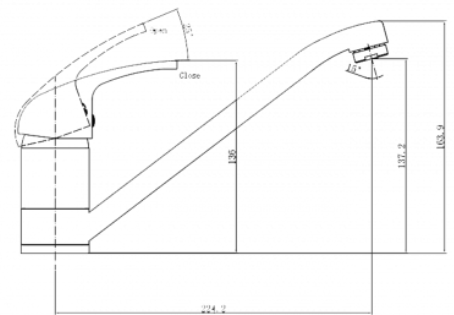
10 Years

DESCRIPTION

WELS Registration no.TO6932

NOTES

PVD products are subject to MOQ



FINISHES

Satin Antique Bronze (SABZ)

Satin Antique Brass (SAB)

Matte Black (MB)

Brushed Nickel (BN)

Gold (G)

Graphite (GR)

Chrome Plated (CP)

Gun Metal (GM)

Bronze (BZ)

Rose Gold (RG)

CERTIFICATIONS

