

# NOVAS



## OMEGA SWIVEL KITCHEN MIXER

### DETAILS

**PRODUCT CODE**

OMG-KM

**DIMENSIONS**

176.66mm x 233.7mm

**INCLUSIONS**

Fixing Kit & Flexi Hose

**INSTALLATION TYPE**

Kitchen Mixer

**MATERIAL**

Brass

**PRODUCT SERIES**

Omega

**WELS RATING**

6L/Min 5 Star

**WARRANTIES**

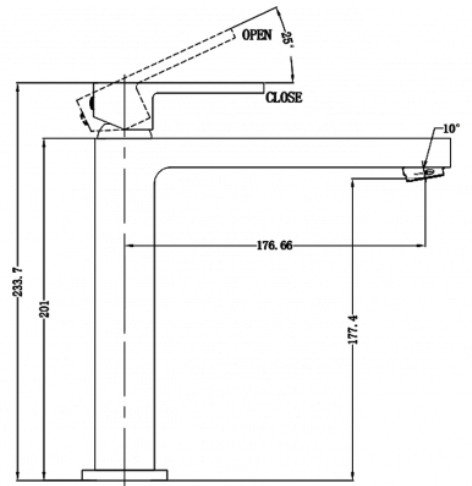
10 Years

**DESCRIPTION**

WELS Registration no.T20384

**NOTES**

PVD products are subject to MOQ



### FINISHES

Satin Antique Bronze (SABZ)

Satin Antique Brass (SAB)

Brushed Nickel (BN)

Gold (G)

Graphite (GR)

Chrome Plated (CP)

Gun Metal (GM)

Bronze (BZ)

Rose Gold (RG)

Matte Black (MB)

### CERTIFICATIONS

