



OMEGA IN-WALL MIXER

DETAILS

PRODUCT CODE

OMG-IWM

DIMENSIONS

150mm x 65mm x 59.25mm

INCLUSIONS

Fixing Kit & Flexi Hose

INSTALLATION TYPE

Wall Mixer

MATERIAL

Brass

PRODUCT SERIES

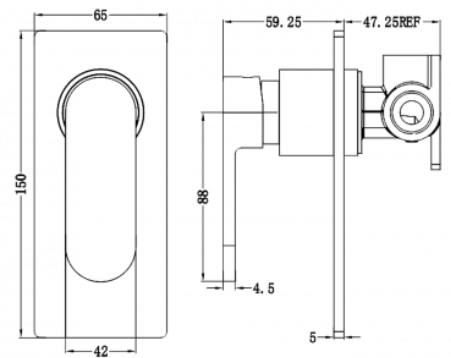
Omega

WARRANTIES

10 Years

NOTES

PVD products are subject to MOQ



FINISHES

Satin Antique Bronze (SABZ)

Satin Antique Brass (SAB)

Brushed Nickel (BN)

Gold (G)

Graphite (GR)

Chrome Plated (CP)

Gun Metal (GM)

Bronze (BZ)

Rose Gold (RG)

Matte Black (MB)

CERTIFICATIONS

